

EFD 14 1p



Specifications

ETI Code	002560001
Description	EFD 14 1p
Class name	Fuse disconnecter
Size	14x51
Mounting type	TH 35
Number of poles	1
Rated AC voltage (V)	690V
Utilization category	AC-22B
Rated current (A)	50A

[Online product page](#) 

Other documentation

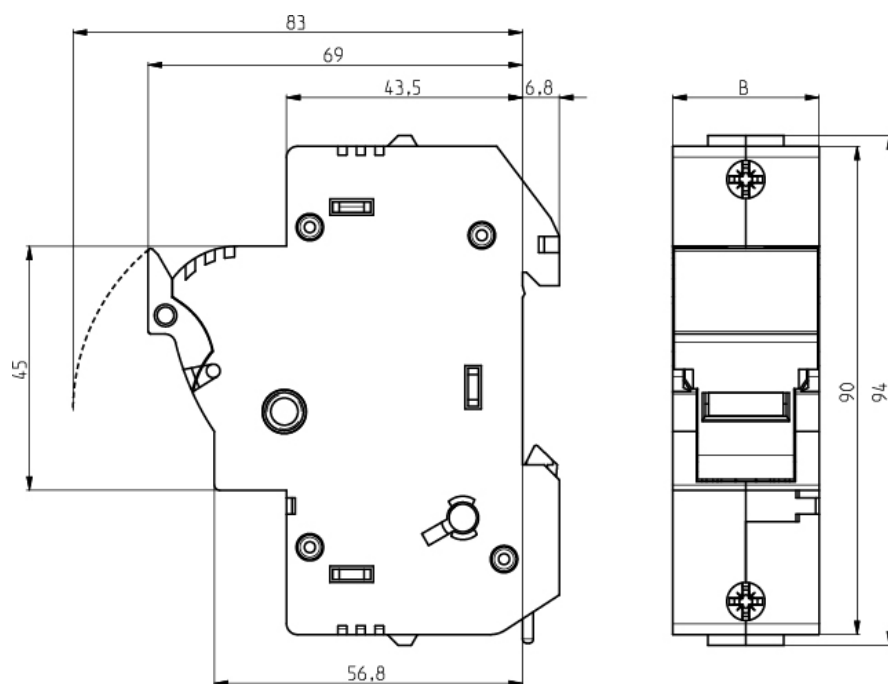


[Technical data catalogue](#)
[Certificate](#)
[3D Model](#)
[2D File](#)
[CE declaration](#)
[Eplan file](#)

ETIM international classification

Classification	EC002705
Class name	Holder for cylindrical fuse
Mounting method	Other
For fuse size	14x51 mm
Number of poles	1

Dimension drawing



	B
EFD 14 1p	27
EFD 14 1p+N	54
EFD 14 2p	54
EFD 14 3p	81
EFD 14 3p+N	108