

EFD 10 1p



Specifications

ETI Code	002540001
Description	EFD 10 1p
Class name	Fuse disconnecter
Size	10x38
Mounting type	TH 35
Number of poles	1
Rated AC voltage (V)	690V
Utilization category	AC-22B
Rated current (A)	32A

[Online product page](#)

Other documentation



[Technical data catalogue](#)

[Certificate](#)

[3D Model](#)

[2D File](#)

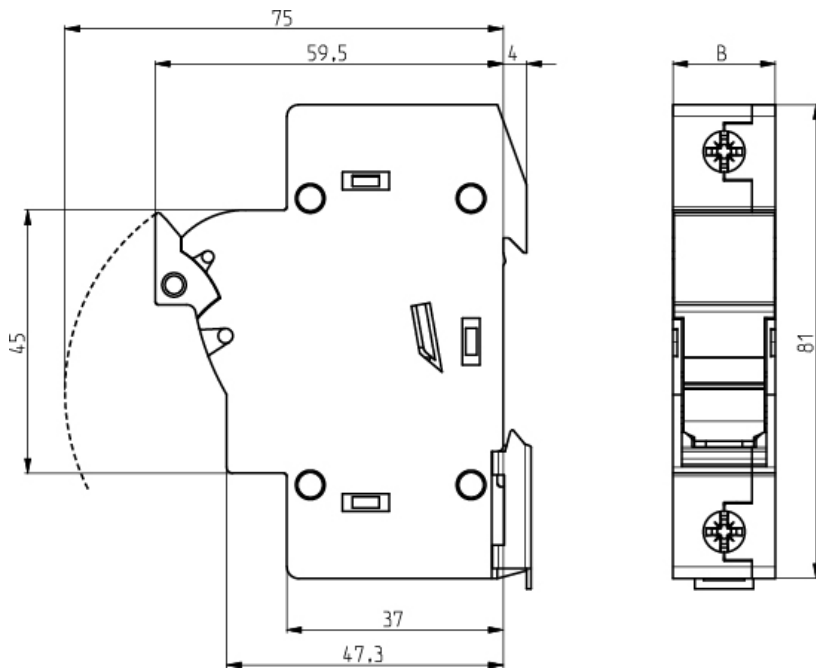
[CE declaration](#)

[Eplan file](#)

ETIM international classification

Classification	EC002705
Class name	Holder for cylindrical fuse
Mounting method	Other
For fuse size	10x38 mm
Number of poles	1

Dimension drawing



	B
EFD 8, 10 1p	17,5
EFD 8, 10 1p+N	35
EFD 8, 10 2p	35
EFD 8, 10 3p	52,5
EFD 8, 10 3p+N	70