

# KVL-00 3p M8-M8



## Specifications

ETI Code	001690870
Description	KVL-00 3p M8-M8
Class name	Fuse switch disconnecter
Size	NH00
Rated current (A)	160A
Number of poles	3
Rated AC voltage (V)	690V
Rated DC voltage (V)	440V
Utilization category	AC-23B,DC-22B
Product group	Horizontal fuse-switch disconnecter
Type	KVL

[Online product page](#) 

## Other documentation



[Technical data catalogue](#)

[3D Model](#)

[2D File](#)

[Instruction manual](#)

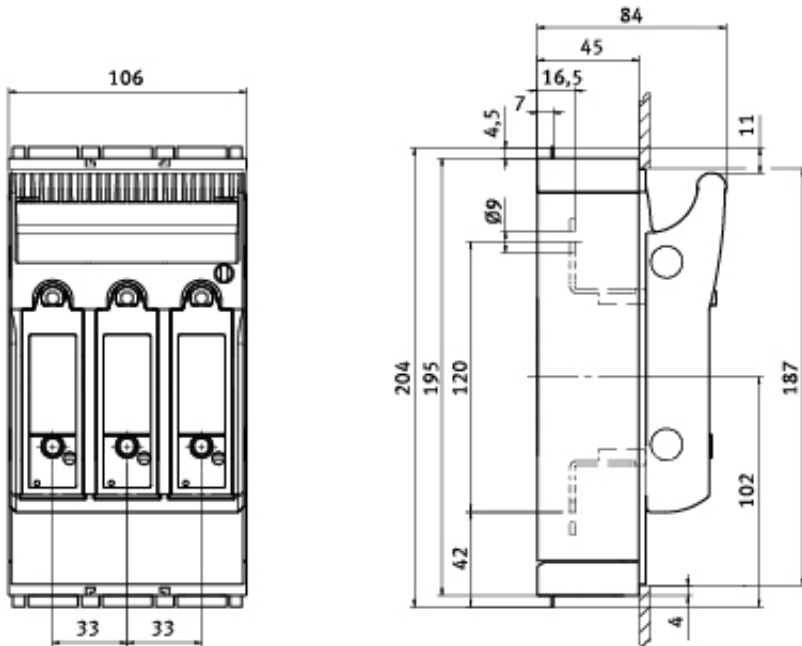
[CE declaration](#)

[Eplan file](#)

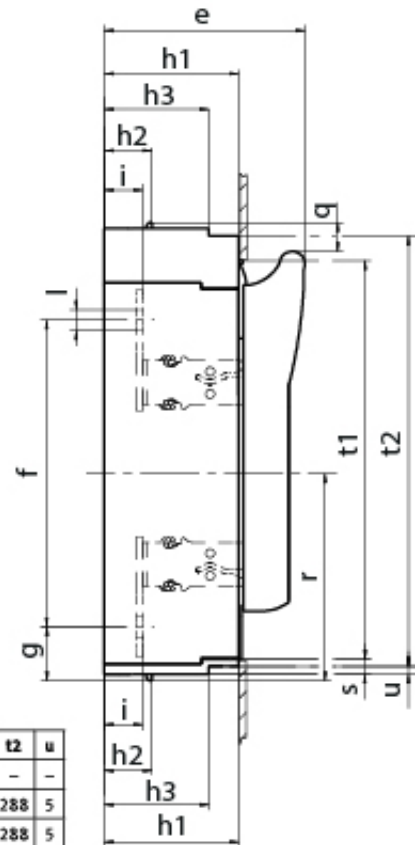
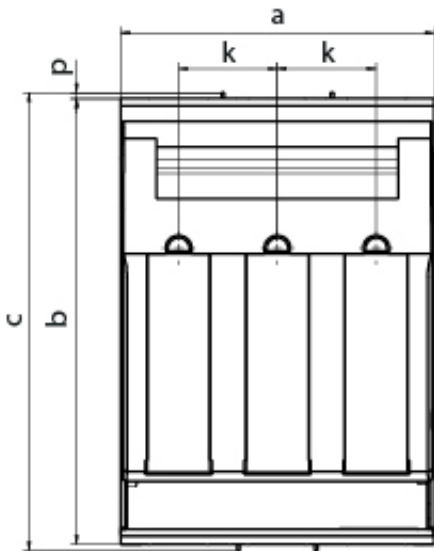
## ETIM international classification

Classification	EC001040
Class name	Fuse switch disconnecter
Version as main switch	Yes
Version as safety switch	Yes
Rated permanent current I <sub>u</sub>	160A
Suitable for fuses	NH00
Number of poles	3
With error protection	No
Type of electrical connection of main circuit	Screw connection
Suitable for floor mounting	Yes
Type of control element	Cover grip

# Dimension drawing



KVL-00 3p M8-M8
KVL-00 3p BC95-BC95
KVL-00 3p M8-M8 LED
KVL-00 3p BC95-BC95 LED



	a	b	c	e	f	g	h1	h2	h3	i	k	l	p	q	r	s	t1	t2	u
KVL-1 3p M10-M10 (LED)	184	298	306	117	185	46	70	32	-	25	58	∅10,5	4	19	138	5	272	-	-
KVL-2 3p M10-M10 (LED)	210	298	306	134	205	36	90	32	70	26	66	∅14	4	19	138	10	268	288	5
KVL-3 3p M10-M10 (LED)	250	298	306	143	205	36	90	32	70	26	82	∅14	4	19	138	10	268	288	5