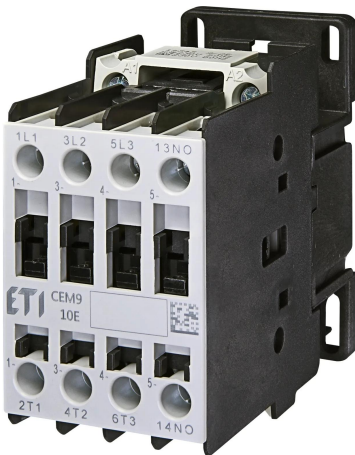


# CEM9.10-230V-50/60Hz



## Specifications

ETI Code	004642123
Description	CEM9.10-230V-50/60Hz
Class name	Motor contactor
Rated operation current Ie at AC1 (A)	25A
Rated operation current Ie at AC3, 400 V (A)	9A
Rated operational voltage AC (V)	690V
Rated AC control circuit voltage Uc (V)	230V
Number of poles	3
Number of auxiliary NO contacts	1
function	Motor contactor
Catalogue Group	CEM Motor contactor

Online product page

## Other documentation



Technical data catalogue

3D Model

2D File

Instruction manual

CE declaration

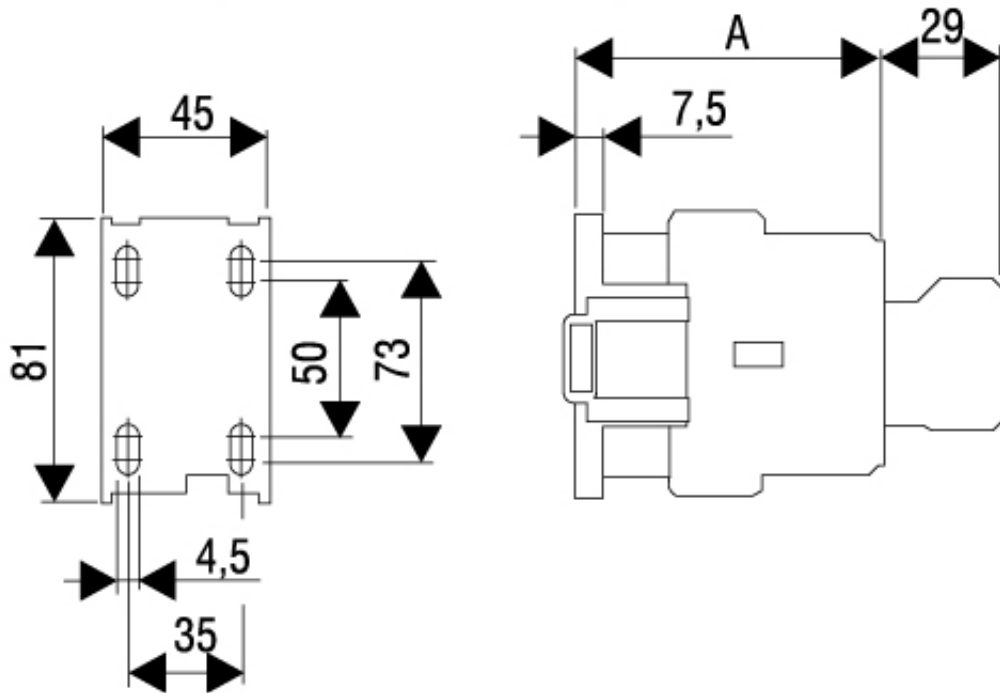
Eplan file

## ETIM international classification

Classification	EC000066
Class name	Power contactor, AC switching
Rated control supply voltage AC 50 Hz	230...230V
Rated control supply voltage AC 60 Hz	230...230V
Rated control supply voltage DC	230...230V
Voltage type for actuating	AC
Rated operation current I <sub>e</sub> at AC-1, 400 V	25A
Rated operation current I <sub>e</sub> at AC-3, 400 V	9A
Rated operation power at AC-3, 400 V	4kW
Modular version	No
Number of auxiliary contacts as normally open contact	1
Type of electrical connection of main circuit	Frame clamp
Number of normally open contacts as main contact	3

## Dimension drawing

	AC	DC
CAEM4	A=85	A=115
CEM9	A=85	A=115
CEM12	A=85	A=115
CEM18	A=85	A=115
CEM25	A=87	A=117



## Wiring diagram

