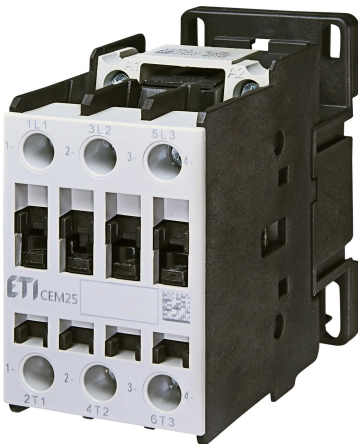


# CEM25.00-230V-50/60Hz



## Specifications

ETI Code	004645103
Description	CEM25.00-230V-50/60Hz
Class name	Motor contactor
Rated operation current Ie at AC1 (A)	45A
Rated operation current Ie at AC3, 400 V (A)	25A
Rated operational voltage AC (V)	690V
Rated AC control circuit voltage Uc (V)	230V
Number of poles	3
function	Motor contactor
Catalogue Group	CEM Motor contactor

Online product page [🔗](#)

## Other documentation



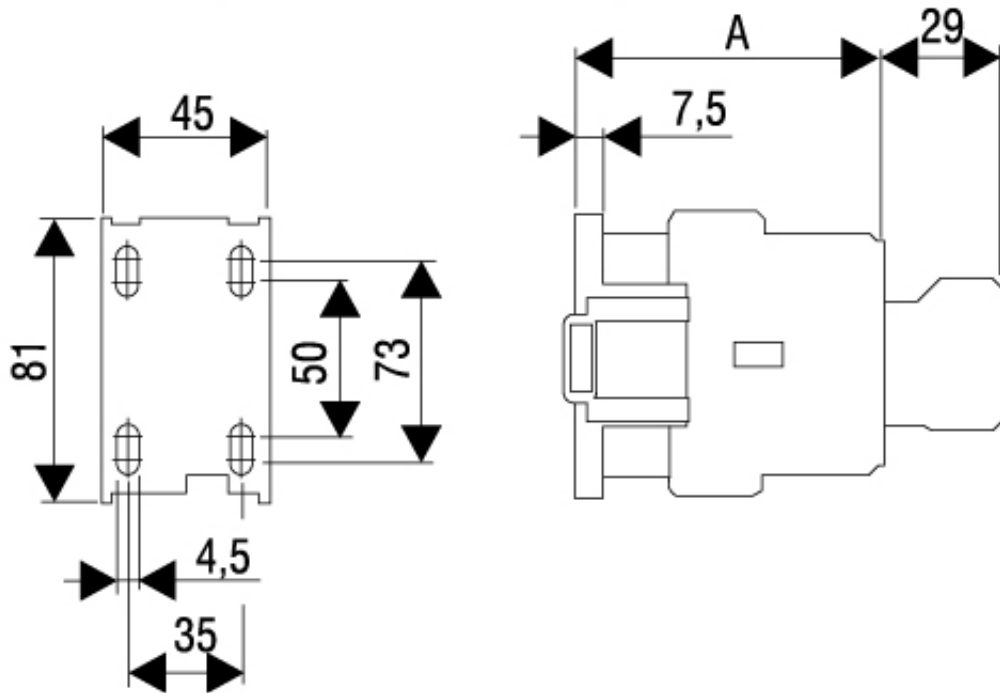
[Technical data catalogue](#)  
[3D Model](#)  
[2D File](#)  
[Instruction manual](#)  
[CE declaration](#)  
[Eplan file](#)

## ETIM international classification

Classification	EC000066
Class name	Power contactor, AC switching
Rated control supply voltage AC 50 Hz	230...230V
Rated control supply voltage AC 60 Hz	230...230V
Rated control supply voltage DC	230...230V
Voltage type for actuating	AC
Rated operation current I <sub>e</sub> at AC-1, 400 V	45A
Rated operation current I <sub>e</sub> at AC-3, 400 V	25A
Rated operation power at AC-3, 400 V	11kW
Modular version	No
Type of electrical connection of main circuit	Frame clamp
Number of normally open contacts as main contact	3

## Dimension drawing

	AC	DC
CAEM4	A=85	A=115
CEM9	A=85	A=115
CEM12	A=85	A=115
CEM18	A=85	A=115
CEM25	A=87	A=117



## Wiring diagram

