

EZ 1653



Specifications

ETI Code	004482036
Description	EZ 1653
Class name	CEE Socket
Rated current (A)	16A
Type: socket/plug	Wall socket
Number of poles	3+N+PE
IP rating	IP44

[Online product page](#) 

Other documentation



[Technical data catalogue](#)

[2D File](#)

[CE declaration](#)

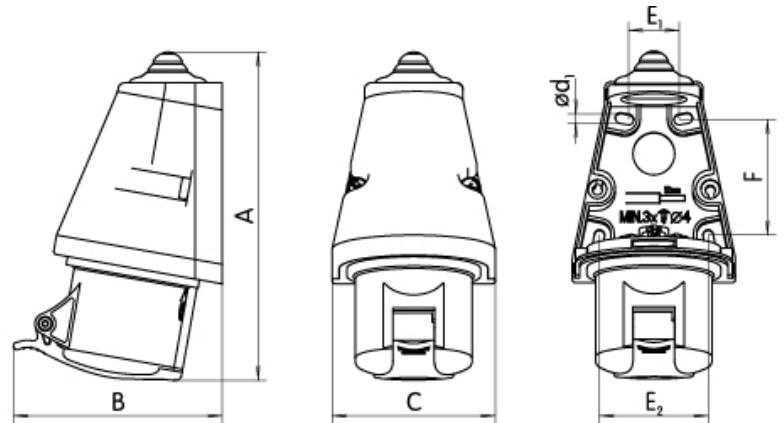
[Eplan file](#)

ETIM international classification

Classification	EC001321
Class name	CEE socket outlet
Model	Surface mounted (plaster)
IEC-amperage	16A
Number of poles	3
Voltage according to EN 60309-2	400 V (50+60 Hz) red
Clock hour position	6h
Identification colour	Red
Degree of protection (IP)	IP44
Connection system	Screwed terminal
Material	Plastic
Type of fastening	Inner lying mounting

Dimension drawing

EZ 1632	157	90	78	4	30	53	58
EZ 1643	157	99	78	4	30	53	58
EZ 1653	157	104	78	4	30	53	58
EZ 3243	179	118	88	4	35	61	60
EZ 3253	179	121	88	4	35	61	60



EZ3232	155	101	82	5,2	67	34	P21	A

