

ES 1632



Specifications

ETI Code	004482000
Description	ES 1632
Class name	CEE Socket
Rated current (A)	16A
Type: socket/plug	Connecting sockets
Number of poles	2+PE
IP rating	IP44

[Online product page](#) 

Other documentation



[Technical data catalogue](#)

[2D File](#)

[CE declaration](#)

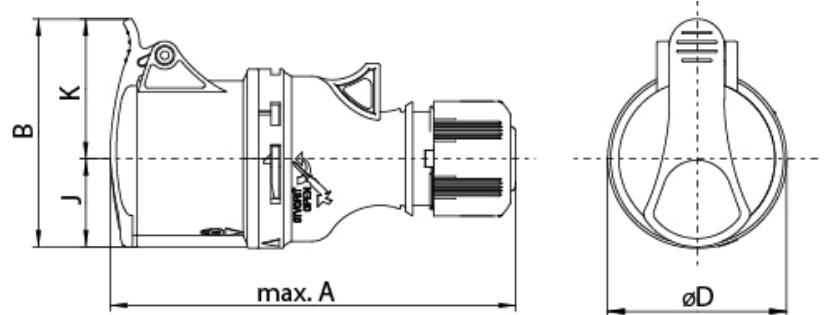
[Eplan file](#)

ETIM international classification

Classification	EC001320
Class name	CEE coupling
IEC-amperage	16A
Number of poles	2
Voltage according to EN 60309-2	230 V (50+60 Hz) blue
Identification colour	Blue
Degree of protection (IP)	IP44
Connection system	Screwed terminal
Insert direction	Straight
Cable entry	Gland nut
Material	Plastic

Dimension drawing

ES1632	145	79	64	29	50
ES 1643	145	81,5	56	31,5	50
ES 1653	145	89	64	35	54
ES 3243	175,5	96	65	38	58
ES 3253	179	103	73	41	62



ES 3232	165	93	72	42	51
					21

