

EFI-P4 AC 40/0.5



Specifications

ETI Code	002061642
Description	EFI-P4 AC 40/0.5
Class name	RCCB
Rated residual current (A)	0.5A
Residual current type	AC
Rated current (A)	40A
Depth (mm)	68mm
Mounting type	TH 35
Number of poles	3+N
Rated conditional short-circuit current Inc (kA)	10kA
Rated AC voltage (V)	400V/415V
Rated Frequency (Hz)	50Hz/60Hz
Rated cross section	1mm ² -25mm ²
Standards	IEC/EN 61008
IP rating	IP20

[Online product page](#)

Other documentation

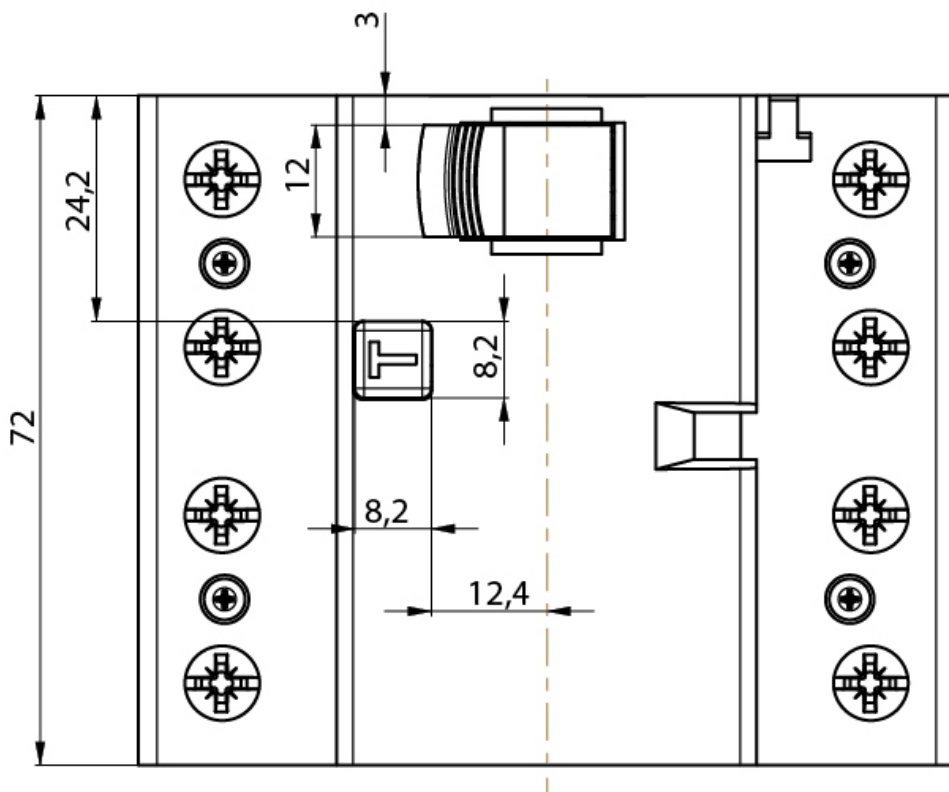


[Technical data catalogue](#)
[Certificate](#)
[3D Model](#)
[2D File](#)
[Instruction manual](#)
[CE declaration](#)
[White paper](#)
[Eplan file](#)

ETIM international classification

Classification	EC000003
Class name	Residual current circuit breaker (RCCB)
Number of poles	4
Rated voltage	415V
Rated current	40A
Rated fault current	500mA
Mounting method	DIN rail
Leakage current type	AC
Selective protection	No
Short-time delayed tripping	No
Short-circuit breaking capacity (I _{cw})	10kA
Surge current capacity	0,4kA
Frequency	50/60 Hz
Additional equipment possible	Yes
Degree of protection (IP)	IP20
Width in number of modular spacings	4
Built-in depth	68mm
Connectable conductor cross section multi-wired	1...25mm ²

Dimension drawing



Wiring diagram

