

# SSQ 125



## Specifications

ETI Code	002421414
Description	SSQ 125
Class name	Center-off change-over switch
function	Center-off change-over switch
Rated current (A)	25A
Rated AC voltage (V)	230V
Number of poles	1
IP rating	IP20
Max input cross-section (mm <sup>2</sup> )	16mm <sup>2</sup>
Rated Frequency (Hz)	50Hz/60Hz
Standards	60947-3

[Online product page](#)

## Other documentation

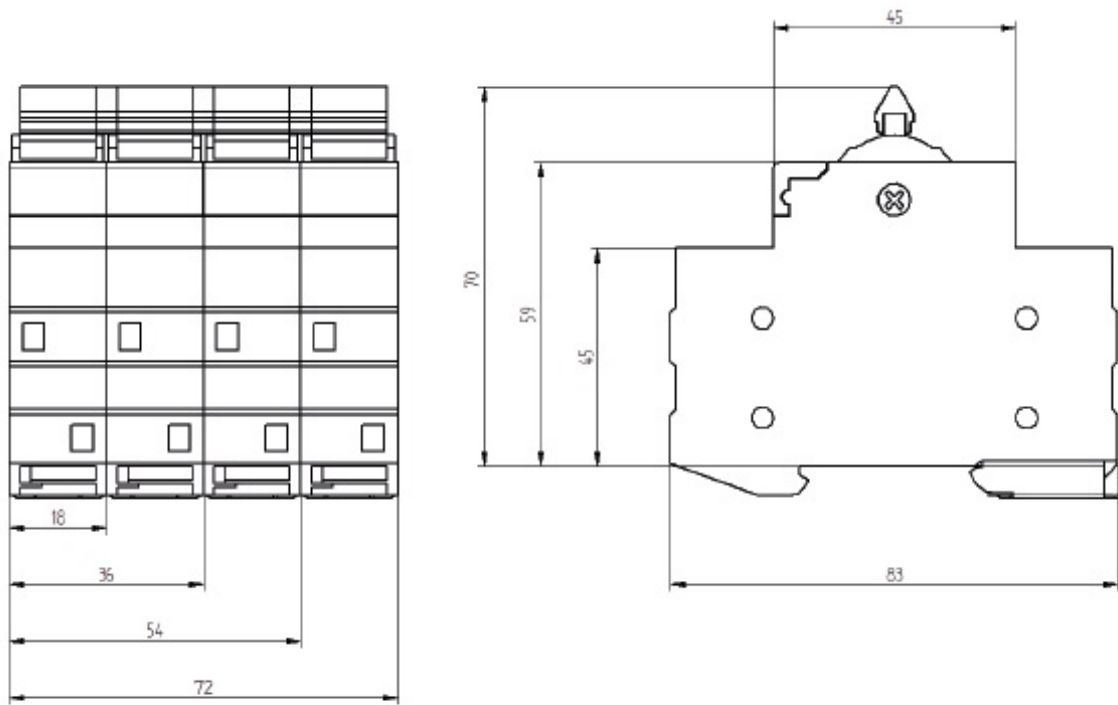


[Technical data catalogue](#)  
[3D Model](#)  
[2D File](#)  
[Instruction manual](#)  
[CE declaration](#)  
[Eplan file](#)

## ETIM international classification

Classification	EC001545
Class name	Main switch for distribution board
Switching function	Two-way switch
Number of contacts as change-over contact	1
Number of poles	1
Rated current	25A
Rated voltage	230V
Min. rated voltage	10V
Voltage type	AC
With signal lamp	No
Width in number of modular spacings	1
Built-in depth	70mm
Degree of protection (IP)	IP20

# Dimension drawing



## Symbol/Connection

