

ASTROCLOCK-2



Specifications

ETI Code	002472051
Description	ASTROCLOCK-2
Class name	Time relay - digital
Type of contacts	1xCO
Voltage type	AC
Number of contacts	2
Number of CO contacts	2
function	Time relay
Maximum load capacity at AC1 (VA)	4000VA
Supply voltage (V)	230V
Rated current (A)	16A

[Online product page](#)

Other documentation



[Technical data catalogue](#)

[3D Model](#)

[2D File](#)

[Instruction manual](#)

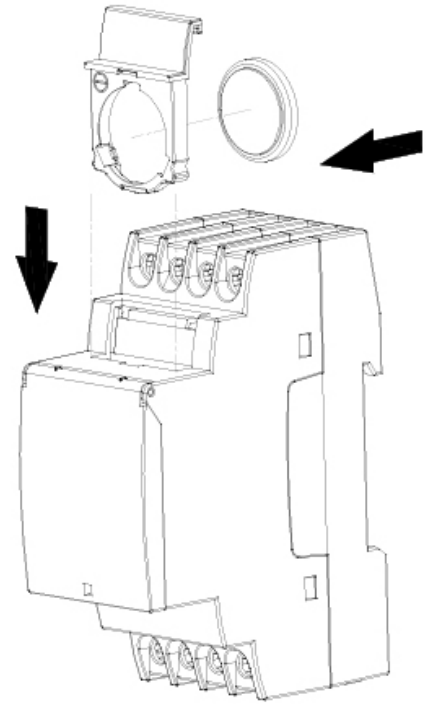
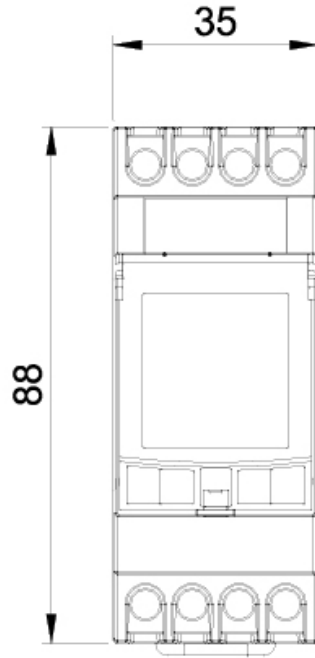
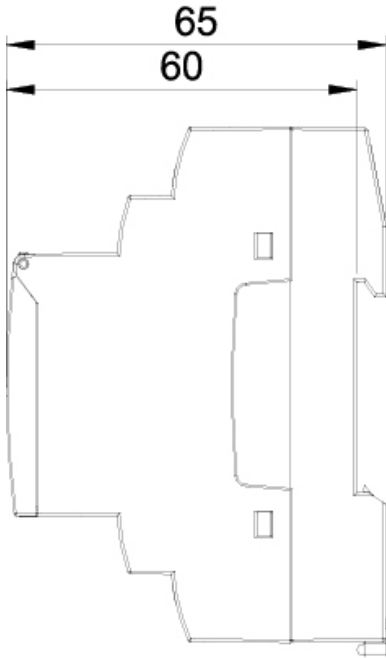
[CE declaration](#)

[Eplan file](#)

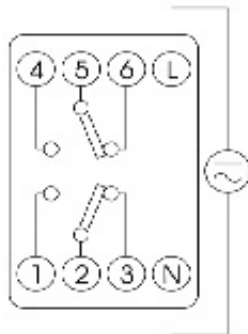
ETIM international classification

Classification	EC002305
Class name	Digital time switch for distribution board
Mounting method	DIN rail
Number of channels	2
Supply voltage	230...230V
Voltage type (supply voltage)	AC
Frequency supply voltage	50...50Hz
Autonomy in hours	48
Accuracy per day	1s
24 h program	Yes
Weekly program	Yes
Holiday program	Yes
Cycle program	Yes
Astro program	Yes
Hour meter	Yes
Shortest switching time channel 1	0,02min
Shortest switching time channel 2	0,02min
Number of memory locations	40
Automatic switching summer-/winter time	Yes
Suitable for manual operation	Yes
Nominal switching current at 250 V AC	16A
Degree of protection (IP)	IP20
Width in number of modular spacings	2
Width	35,5mm
Height	90mm
Depth	65mm

Dimension drawing



Symbol/Connection



Incandescent	Fluorescent	Low voltage halogen (12 V AC)	Halogen (230 V AC)
3000 W	1200 VA	2000 VA	3000 W
Low consumption lamps	Downlights	LED	
600 VA	400 VA	90 VA	