

HRN-54



Specifications

ETI Code	002471416
Description	HRN-54
Class name	Control relay
function	Monitoring and Control relays
Supply voltage (V)	400V
Type of control	U _{max} ,U _{min} ,sequence phase,phase failure
Number of contacts	1
Voltage type	AC
Rated current (A)	8A
Maximum load capacity at AC1 (VA)	2500VA
Type of contacts	1xCO
Number of CO contacts	1
DC rated control supply voltage U _c (V)	0V

[Online product page](#)

Other documentation

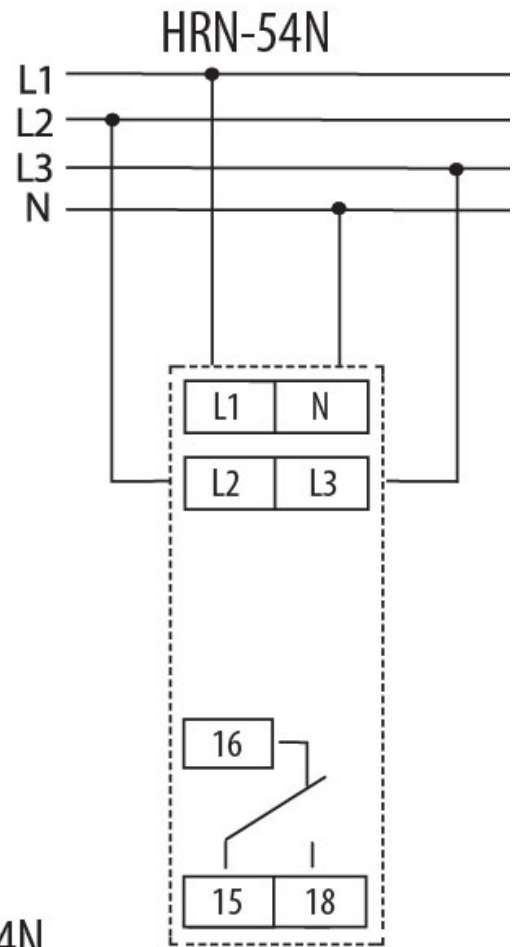
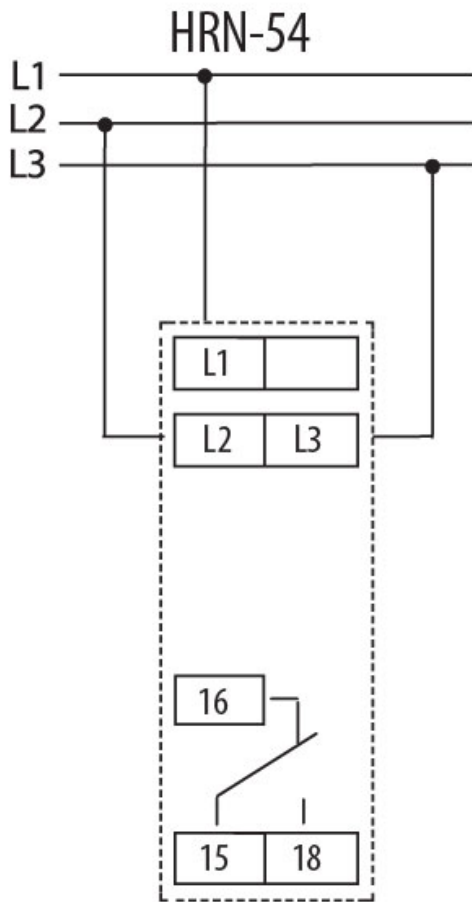


- Description
- Technical data catalogue
- 3D Model
- 2D File
- Instruction manual
- CE declaration
- Eplan file

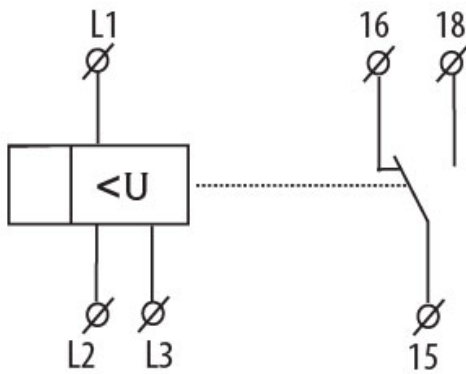
ETIM international classification

Classification	EC001441
Class name	Phase monitoring relay
Type of electric connection	Clip connection
Rated control supply voltage AC 50 Hz	400...400V
Phase sequence monitoring	Yes
Phase failure detection	Yes
Function under voltage detection	Yes
Function over voltage detection	Yes
Phase imbalance monitoring	Yes
Voltage measuring range	300...500V
Number of contacts as change-over contact	1
Width	18mm
Height	90mm
Depth	65mm

Symbol/Connection



HRN-54



HRN-54N

