

Product Introduction

4 Gang Universal Dimming Module (KNX) is a high-performance control for intelligent lighting devices. Supports various dimming methods and flexible control functions, offering independent or parallel output modes. Compatible with the KNX security protocol, it guarantees secure communication through data encryption and identity authentication. Designed for smart lighting systems in residential, commercial, and public spaces, delivering efficient, flexible, and secure control solutions.

Features

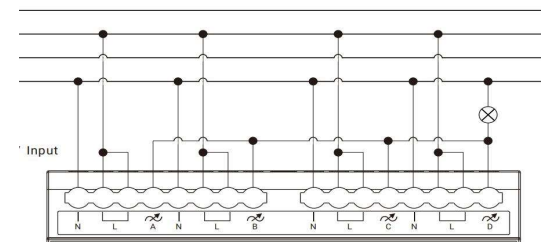
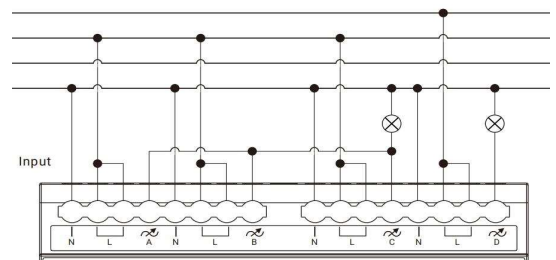
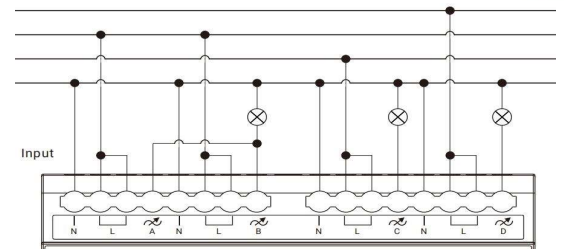
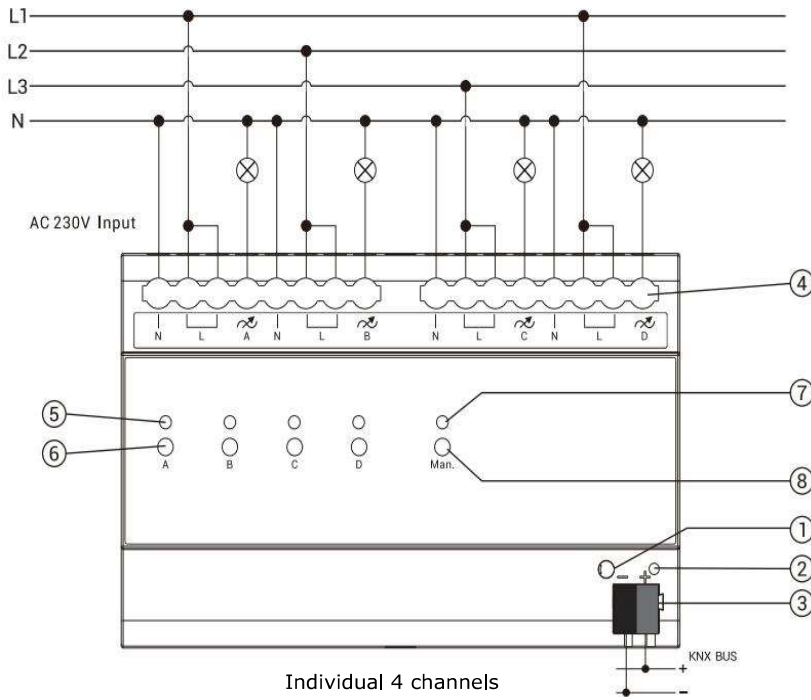
- Available dimming modes: switch, relative, and absolute
- Both leading-edge and trailing-edge dimming modes are configurable.
- Supports switch, brightness, and fault status reporting.
- Centralized control and expansion capability.
- Delay/Staircase lighting function
- Manual operation and output indication.



Specification

- Product Model: KXAC-G1DC4
- Input Voltage: 21~30V DC (Bus)
- Bus Current: <math><7.5\text{mA}/24\text{V}</math>, <math><6.5\text{mA}/30\text{V}</math>
- Bus Consumption: <math><195\text{mW}</math>
- Dimming Channels: 4
- Output:
 - Rated Voltage: 110~230 V AC (50/60HZ)
 - Maximum load: 300W /channel
 - (incandescent/halogen/LED lamps, trailing-edge phase-cut)
 - Standby Consumption: Approx. 0.7W
 - Load Loss: $\leq 2\text{W}$ /channel
- Working Temperature: $-5^{\circ}\text{C} \sim 45^{\circ}\text{C}$
- Working Humidity: 0~93%RH (non-condensing)
- Installation: On standard 35mm DIN rail
- Connection:
 - KNX: Bus Connection Terminals(diameter 0.8mm)
 - Load Output Connection Terminals: Screw Terminals
 - (Cable Cross Section: 0.2—6.0mm²)
- Product Dimensions: 144*90*64(mm)
- Certifications: CE, KNX

Wiring Diagram



Description:

- ① Programming button
- ② Programming LED
- ③ KNX bus connection terminal
- ④ Load output terminal
- ⑤ Channel indicator LED: Normally off - light off, normally on - light on; In manual mode, slow flash - manual dimming in progress. Fast flash - channel error (short circuit, overvoltage, overtemperature, power supply issue)
- ⑥ Channel button: Without database, defaults to manual mode, press button - light on/off; In manual mode, short press - light on/off; long press - brighten/dim; release long press - stop dimming
- ⑦ ⑧ Manual/Automatic (Man.) toggle button and indicator: Long press to switch between manual/automatic operation, indicator light on for manual mode, off for automatic mode

Product Dimension Diagram (mm)

